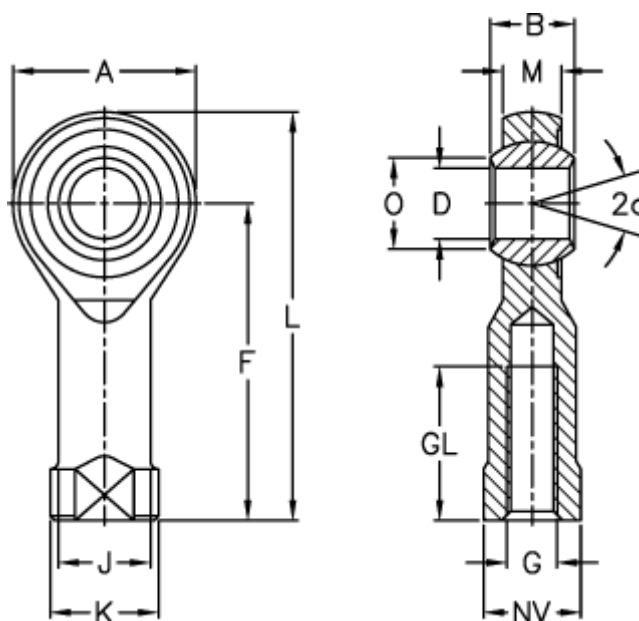


Article number: 03103020

Description: Fluro Rod End GIO 20
Without bushing

Measures



A = 50

a (degrees) = 14

B = 25

D = 20

Dynamic load C (kN) = 20

F = 77

G = M20x1,5

GL = 33

J = 27.5

K = 34

L = 102

M = 18

NV = 32

O = 24.3

Permissible rpm = Ikke velegnet til rotation

Static load C0 (kN) = 63

Weight (g) = 415